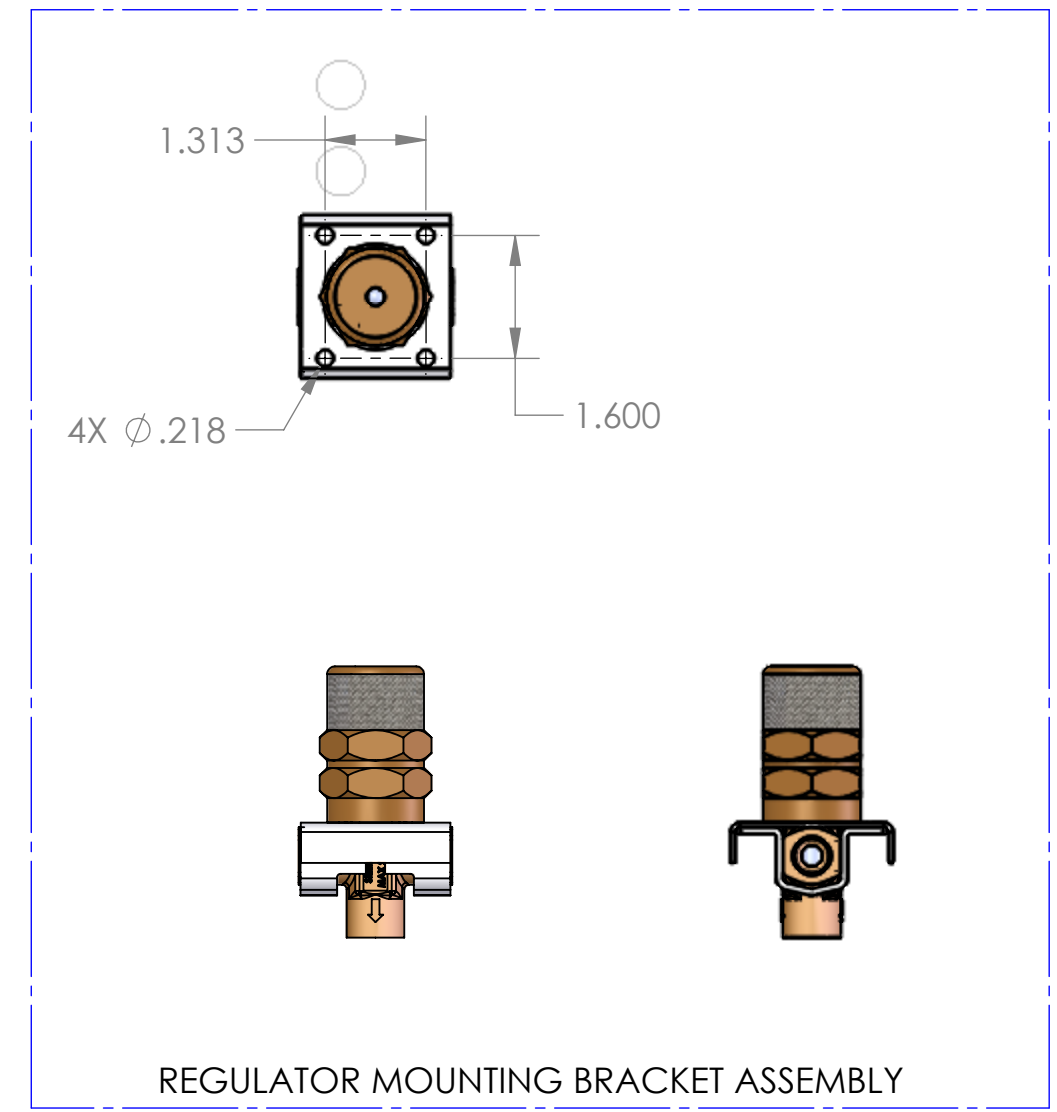
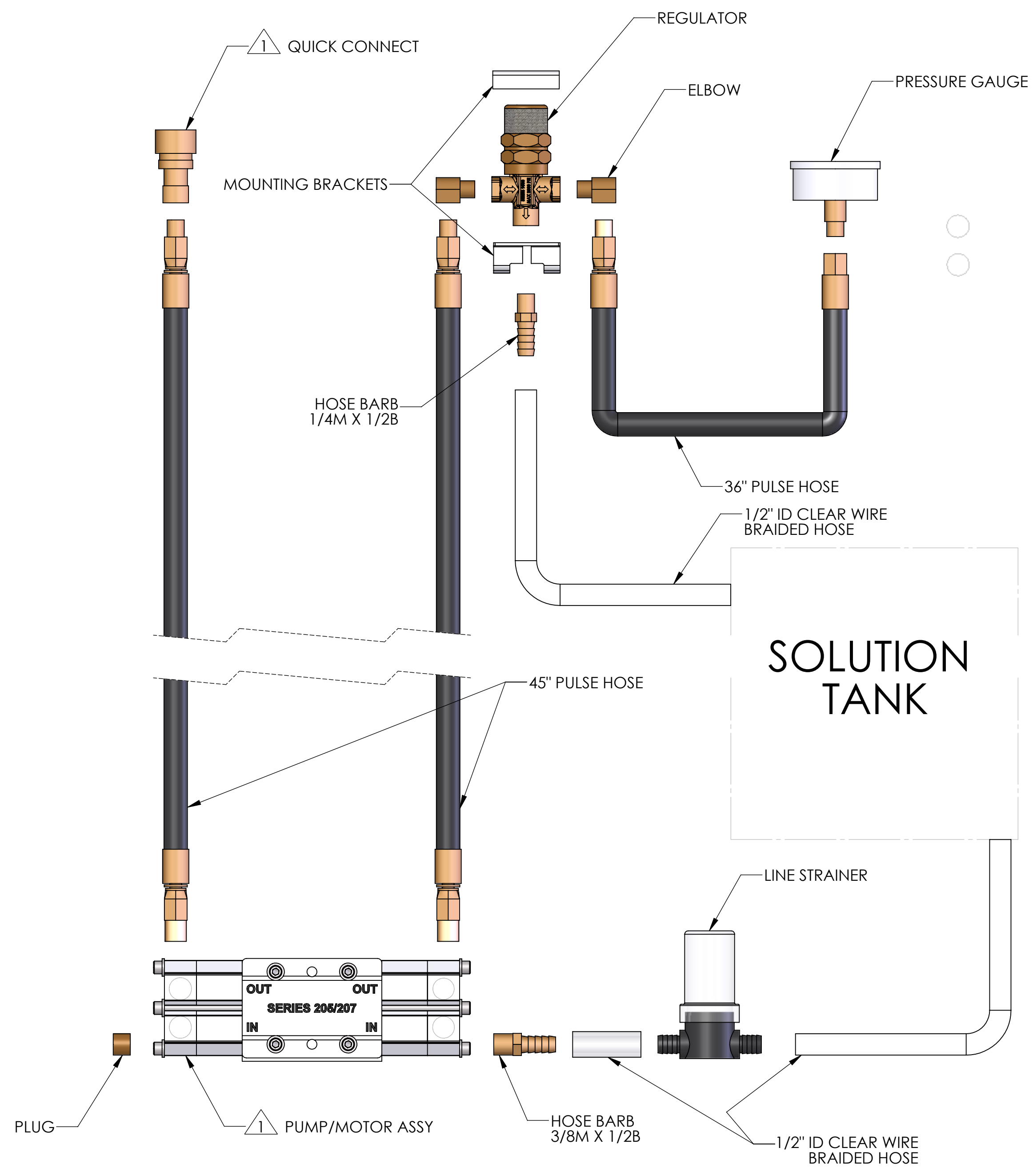


REVISIONS					
ZONE	REV.	ECO#	DESCRIPTION	DATE	APPROVED
	01			9-27-11	JMW



UNLESS OTHERWISE SPECIFIED: DIMENSIONS ARE IN INCHES TOLERANCES: ANGULAR ± 1° XX ± .010 XXX ± .005 CONCENTRIC .003 125/	DRAWN	NAME	DATE	PUMPTec
	CHECKED	JMW	9-27-11	
	ENG APPR.			
	MFG APPR.			
MATERIAL	PROPRIETARY AND CONFIDENTIAL THE INFORMATION CONTAINED IN THIS DRAWING IS THE SOLE PROPERTY OF PUMPTec, INC. ANY REPRODUCTION IN PART OR AS A WHOLE WITHOUT THE WRITTEN PERMISSION OF PUMPTec, INC. IS PROHIBITED.			TITLE: UPGRADE KIT 205/207 SERIES 500 PSI
	SIZE	DWG. NO.	REV	
	C	80657	01	
	SCALE: 1:2.5			SHEET 1 OF 1

NOTES: 1. NOT INCLUDED IN PUMPTec P/N: 80657.